

Description of



Compact Ball Valve



FEATURES & BENEFITS

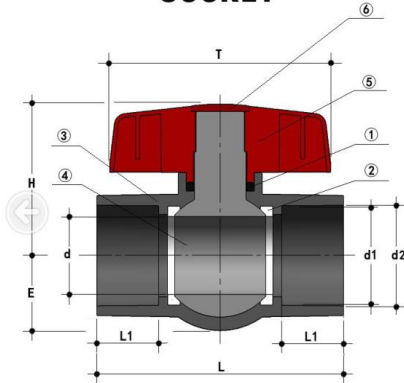
.150PSI @ 73Deg.F.

.Compact Design

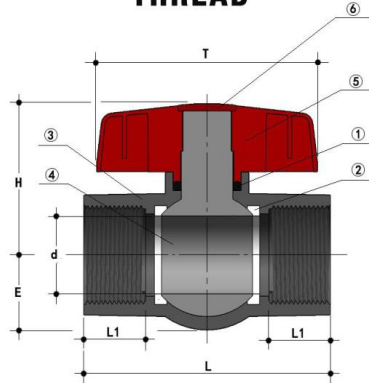
.Gray & White Color

.Size:1/2" to 8"

SOCKET



THREAD



NO.	Part	PCS	Materials
1	O-Ring	1	EPDM
2	Gasket	2	TPE/TPF
3	Body	1	UPVC
4	Ball	1	PP
5	Handle	1	ABS
6	Cap	1	ABS

Measurement in (mm)

mm	inch	DN	GB	ANSI	JIS	B. S.	CNS	L	L1 (SOCKET)	L1 (THREAD)	H + E	T
15A	1/2"	DN15	20	21.34	22.1	21.2	22.1	69.8	18.5	18	60.1	65
20A	3/4"	DN20	25	26.67	26.1	26.6	26.1	79.2	22	22	69.5	71.8
25A	1"	DN25	32	33.4	32.1	33.4	34.1	94.5	26.2	25	83.7	87.8
32A	1-1/4"	DN32	40	42.16	38.1	42.1	42.1	106.8	26.8	26	94.5	99.6
40A	1-1/2"	DN40	50	48.26	48.2	48.1	48.2	122.8	31.2	31	109.7	109.8
50A	2"	DN50	63	60.33	60.2	60.2	60.2	142.7	34.5	34	129	127.5
65A	2-1/2"	DN65	75	73	76.2	73	76.2	173	41.5	41.5	164.5	180
75A	3"	DN80	90	88.9	89.2	88.7	89.2	228	65	65	191	196
100A	4"	DN100	110	114.3	114	114.1	114.2	256	65.5	65.5	216	218.5