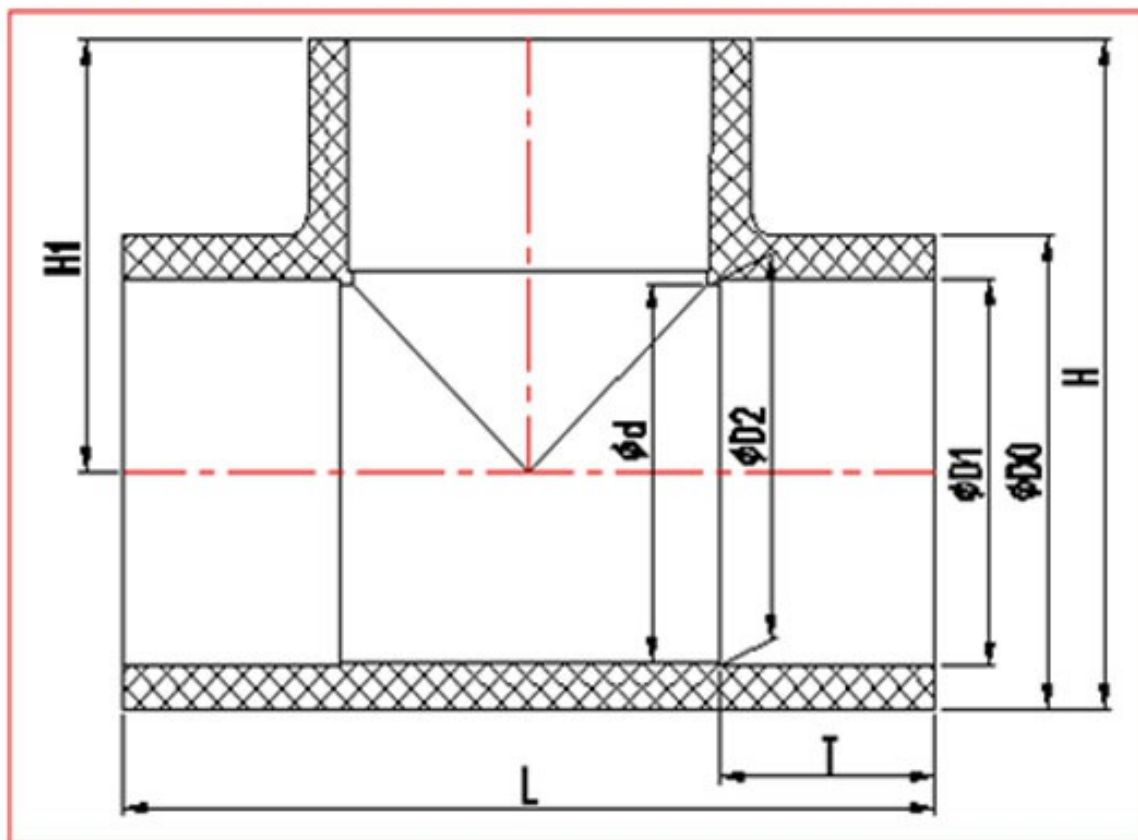


CPVC Schedule 80 Pipe Dimensions and Pressure Ratings

Norminal Pipe Size(in)	O. D. (mm)	Wall Thickness(mm)	Tolerance of Wall Thickness (mm)	Maximun Working Pressure (psi)
1/2"	21.34	3.73	0~+0.51	850
3/4"	26.67	3.91	0~+0.51	690
1"	33.4	4.55	0~+0.53	630
1-1/4"	42.16	4.85	0~+0.58	520
1-1/2"	48.26	5.08	0~+0.61	470
2"	60.32	5.54	0~+0.66	400
2-1/2"	73.02	7.01	0~+0.84	420
3"	88.9	7.62	0~+0.91	370
4"	114.3	8.56	0~+1.02	320
5"	141.3	9.52	0~+1.14	290
6"	168.28	10.97	0~+1.32	280
8"	219.08	12.7	0~+1.52	250
10"	273.05	15.06	0~+1.80	230
12"	323.85	17.45	0~+2.08	230
14"	355.6	19.05	0~+2.29	220
16"	406.4	21.41	0~+2.57	220

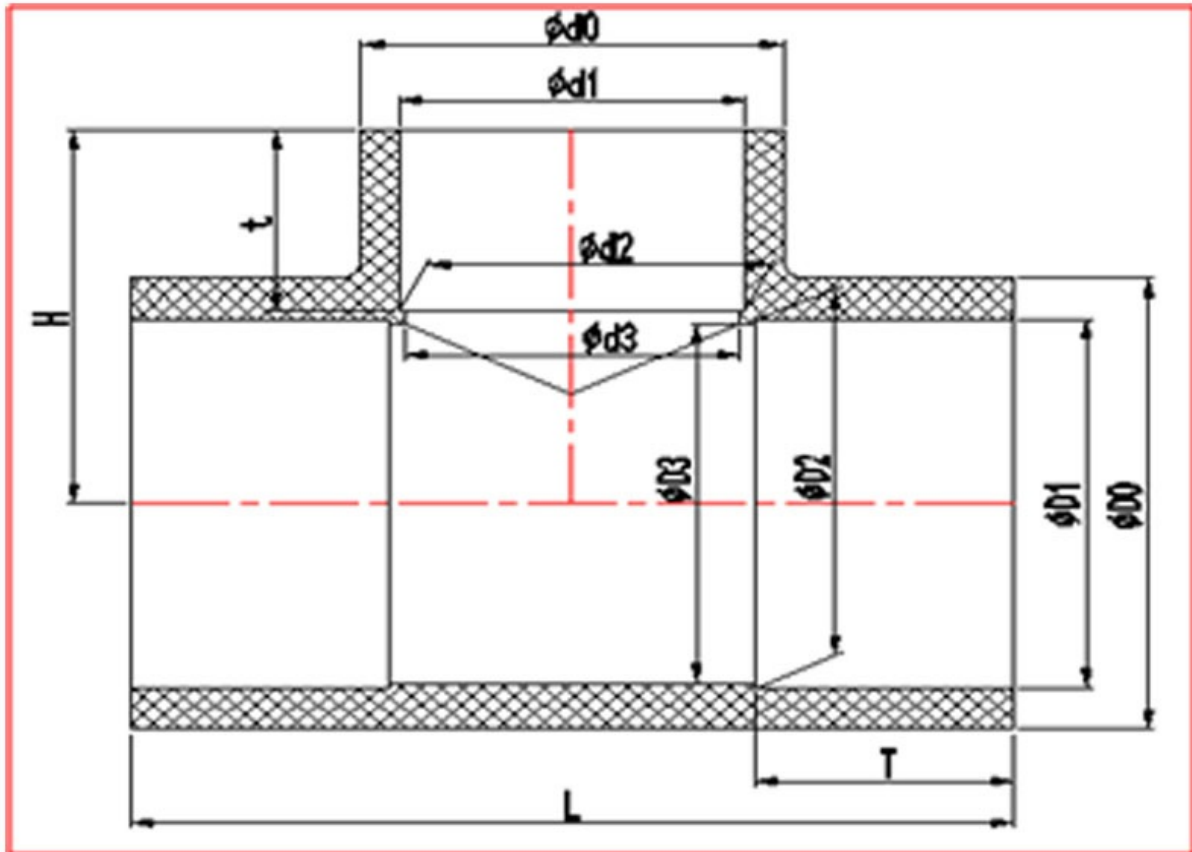
CPVC SCH80 Tee

Size (*")	Dimension (mm)							
	D0	D1	D2	d	T	H1	H	L
1/2"	30.14	21.54	21.23	17.00	23.22	36.25	51.50	72.50
3/4"	35.87	26.87	26.57	22.50	26.40	41.40	59.85	82.80
1"	44.30	33.66	33.27	29.00	29.57	47.10	69.45	94.20
1-1/4"	53.42	42.42	42.04	38.00	32.75	55.75	82.75	111.50
1-1/2"	60.40	48.56	48.11	43.00	35.93	62.00	92.25	124.00
2"	73.10	60.63	60.17	55.00	39.10	70.85	107.40	141.70
2-1/2"	88.40	73.38	72.85	67.50	45.45	83.28	128.70	166.55
3"	105.70	89.31	88.70	83.00	48.63	97.08	149.30	194.15
4"	132.50	114.76	114.07	106.00	58.15	117.25	183.25	234.50
5"	161.60	141.81	141.04	133.00	67.68	142.80	227.95	285.60
6"	192.00	168.83	168.00	160.00	77.20	166.25	261.70	332.50
8"	246.50	219.84	218.69	208.00	102.60	217.60	340.55	435.20
10"	305.80	273.81	272.67	262.50	128.00	278.00	430.90	556.00
12"	361.60	324.60	323.47	313.00	153.40	328.50	509.70	656.80



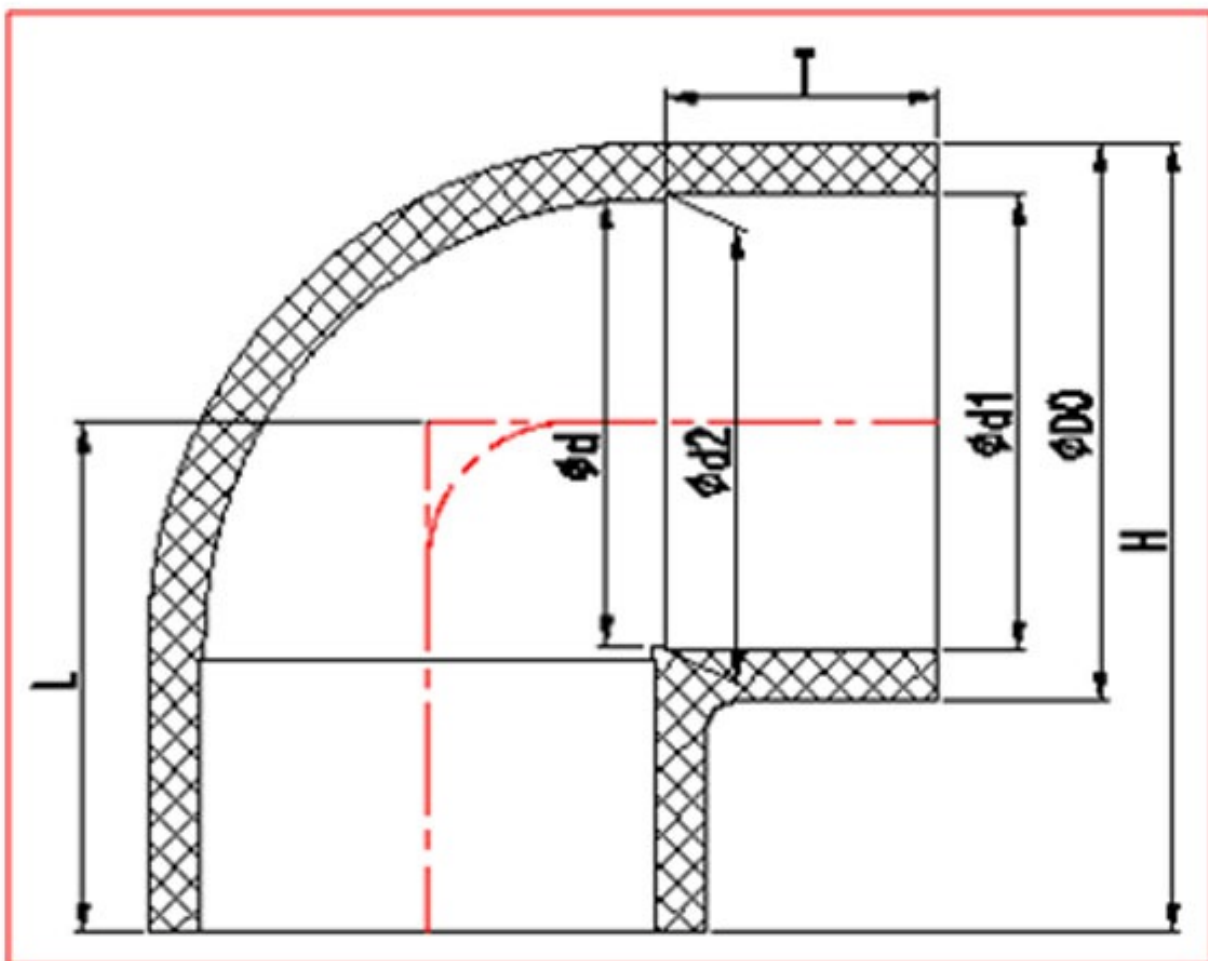
CPVC SCH80 Reducing Tee

Size (*")	Dimension (mm)											
	D0	D1	D2	D3	d0	d1	d2	d3	t	T	H	L
3/4" * 1/2"	35.87	26.87	26.57	22.50	30.14	21.54	21.23	17.00	23.22	26.40	38.55	82.80
1" * 1/2"	44.30	33.66	33.27	29.00	30.14	21.54	21.23	17.00	23.22	29.57	41.75	94.20
1" * 3/4"	44.30	33.66	33.27	29.00	35.87	26.87	26.57	22.50	26.40	29.57	44.60	94.20
1-1/4" * 3/4"	53.42	42.42	42.04	38.00	35.87	26.87	26.57	22.50	26.40	32.75	49.10	111.50
1-1/4" * 1"	53.42	42.42	42.04	38.00	44.30	33.66	33.27	29.00	29.57	32.75	51.60	111.50
1-1/2" * 1"	60.40	48.56	48.11	43.00	44.30	33.66	33.27	29.00	29.57	35.93	54.35	124.00
1-1/2" * 1-1/4"	60.40	48.56	48.11	43.00	53.42	42.42	42.04	38.00	32.75	35.93	58.50	124.00
2" * 1-1/4"	73.10	60.63	60.17	55.00	53.42	42.42	42.04	38.00	32.75	39.10	64.00	141.70
2" * 1-1/2"	73.10	60.63	60.17	55.00	60.40	48.56	48.11	43.00	35.93	39.10	67.45	141.70
1-1/2" * 1-1/2"	88.40	73.38	72.85	67.50	60.40	48.56	48.11	43.00	35.93	45.45	73.70	169.00
2-1/2" * 2"	88.40	73.38	72.85	67.50	73.10	60.63	60.17	55.00	39.10	45.45	77.10	169.00
3" * 2"	105.70	89.31	88.70	83.00	73.10	60.63	60.17	55.00	39.10	48.63	84.60	194.15
3" * 2-1/2"	105.70	89.31	88.70	83.00	88.40	73.38	72.85	67.50	45.45	48.63	92.00	194.15
4" * 2-1/2"	132.50	114.76	114.07	106.00	88.40	73.38	72.85	67.50	45.45	58.15	103.00	234.50
4" * 3"	132.50	114.76	114.07	106.00	105.70	89.31	88.70	83.00	48.63	58.15	107.65	234.50
5" * 2"	161.60	141.81	141.04	133.00	72.70	60.63	60.17	55.00	39.10	67.68	105.10	285.60
6" * 2"	192.00	168.83	168.00	160.00	73.10	60.63	60.17	55.00	39.10	77.20	128.85	332.50
6" * 4"	192.00	168.83	168.00	160.00	132.50	114.76	114.07	106.00	58.15	77.20	144.25	332.50
8" * 4"	246.50	219.84	218.69	208.00	132.50	114.76	114.07	106.00	58.15	102.60	162.75	435.20
8" * 6"	246.50	219.84	218.69	208.00	192.00	168.83	168.00	160.00	77.20	102.60	190.25	435.20
10" * 6"	305.80	273.81	272.67	262.50	192.00	168.83	168.00	160.00	77.20	128.00	217.50	446.60
10" * 8"	305.80	273.81	272.67	262.50	246.50	219.84	218.69	208.00	102.60	128.00	245.00	496.50
12" * 8"	361.60	324.60	323.47	313.00	246.50	219.84	218.69	208.00	102.60	153.40	269.30	583.00
12" * 10"	361.60	324.60	323.47	313.00	305.80	273.81	272.67	262.50	128.00	153.40	296.80	656.80



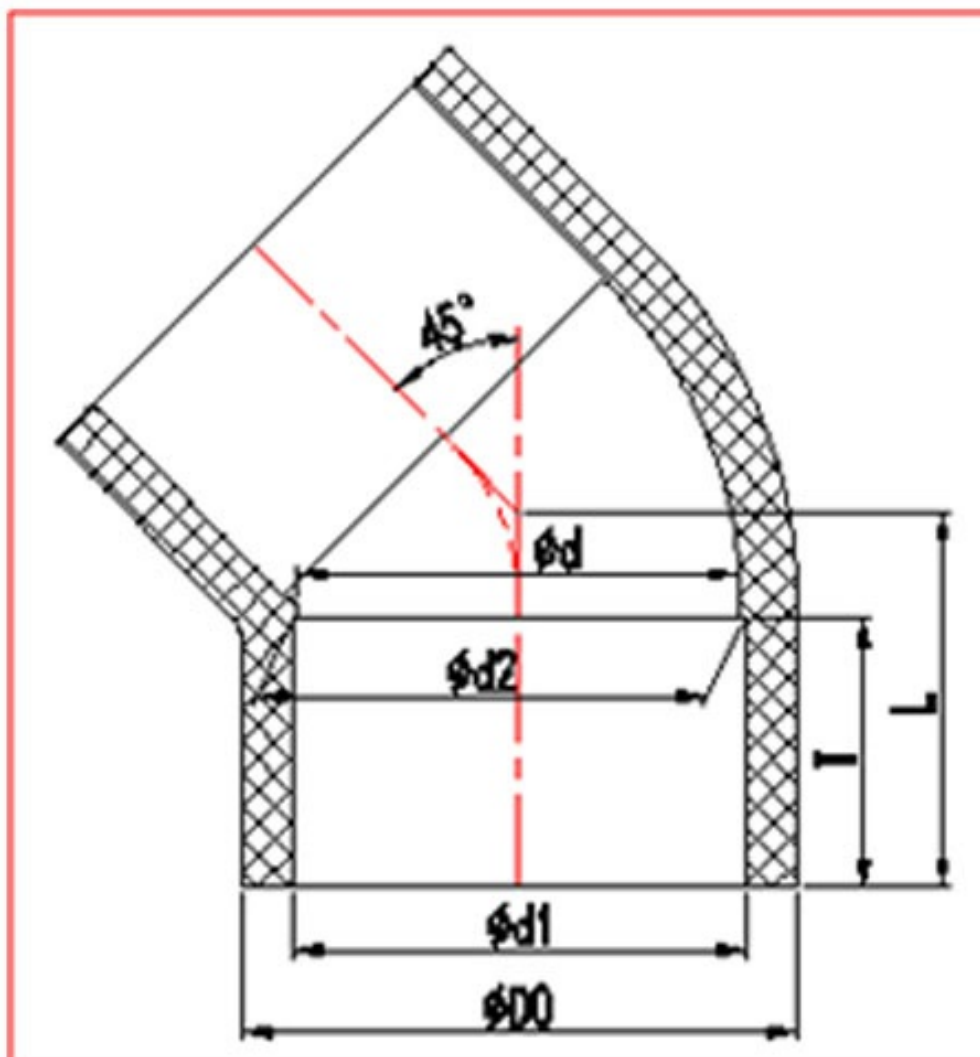
CPVC SCH80 90° Elbow

Size (*")	Dimension (mm)						
	D0	d1	d2	d	T	L	H
1/2"	30.50	21.54	21.23	17.00	23.22	36.25	51.50
3/4"	36.90	26.87	26.57	22.50	26.40	41.40	59.85
1"	44.70	33.66	33.27	29.00	29.57	47.10	69.45
1-1/4"	54.00	42.42	42.04	38.00	32.75	55.75	82.75
1-1/2"	60.60	48.56	48.11	43.00	35.93	61.95	92.25
2"	73.10	60.63	60.17	55.00	39.10	70.85	107.40
2-1/2"	88.40	73.38	72.85	67.50	45.45	84.50	128.70
3"	105.30	89.31	88.70	83.00	48.63	97.63	149.30
4"	132.00	114.76	114.07	106.00	58.15	117.25	183.25
5"	161.90	141.81	141.04	133.00	67.68	143.50	224.45
6"	190.90	168.83	168.00	160.00	77.20	166.25	261.70
8"	245.90	219.84	218.69	208.00	102.60	216.30	340.55
10"	305.80	273.81	272.67	262.50	128.00	278.00	430.90
12"	361.60	324.60	323.47	288.50	153.40	328.50	509.70



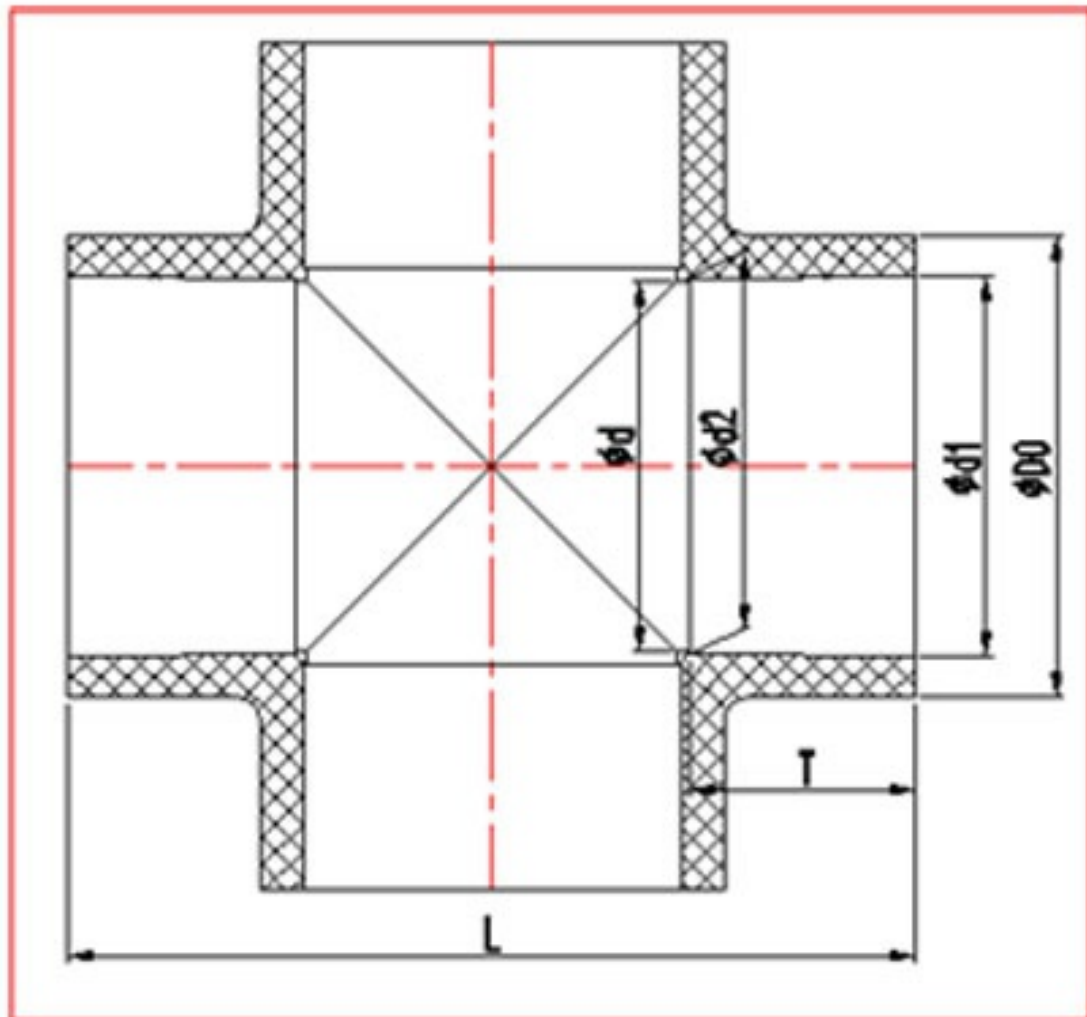
CPVC SCH80 45° Elbow

Size (*")	Dimension (mm)					
	D0	d1	d2	d	T	L
1/2"	30.50	21.54	21.23	17.00	23.22	29.72
3/4"	35.27	26.87	26.57	22.50	26.40	34.40
1"	43.66	33.66	33.27	29.00	29.57	37.58
1-1/4"	53.02	42.42	42.04	38.00	32.75	42.75
1-1/2"	59.86	48.56	48.11	43.00	35.93	47.93
2"	72.22	60.63	60.17	55.00	39.10	55.10
2-1/2"	88.00	73.38	72.85	67.50	45.45	63.50
3"	105.30	89.31	88.70	83.00	48.63	68.63
4"	132.00	114.76	114.07	106.00	58.15	84.15
5"	161.90	141.81	141.04	133.00	67.68	104.55
6"	190.90	168.83	168.00	160.00	77.20	122.20
8"	245.90	219.84	218.69	208.00	102.60	153.80
10"	305.20	273.80	272.67	262.50	128.00	188.00
12"	358.15	324.60	323.47	311.00	163.70	242.80



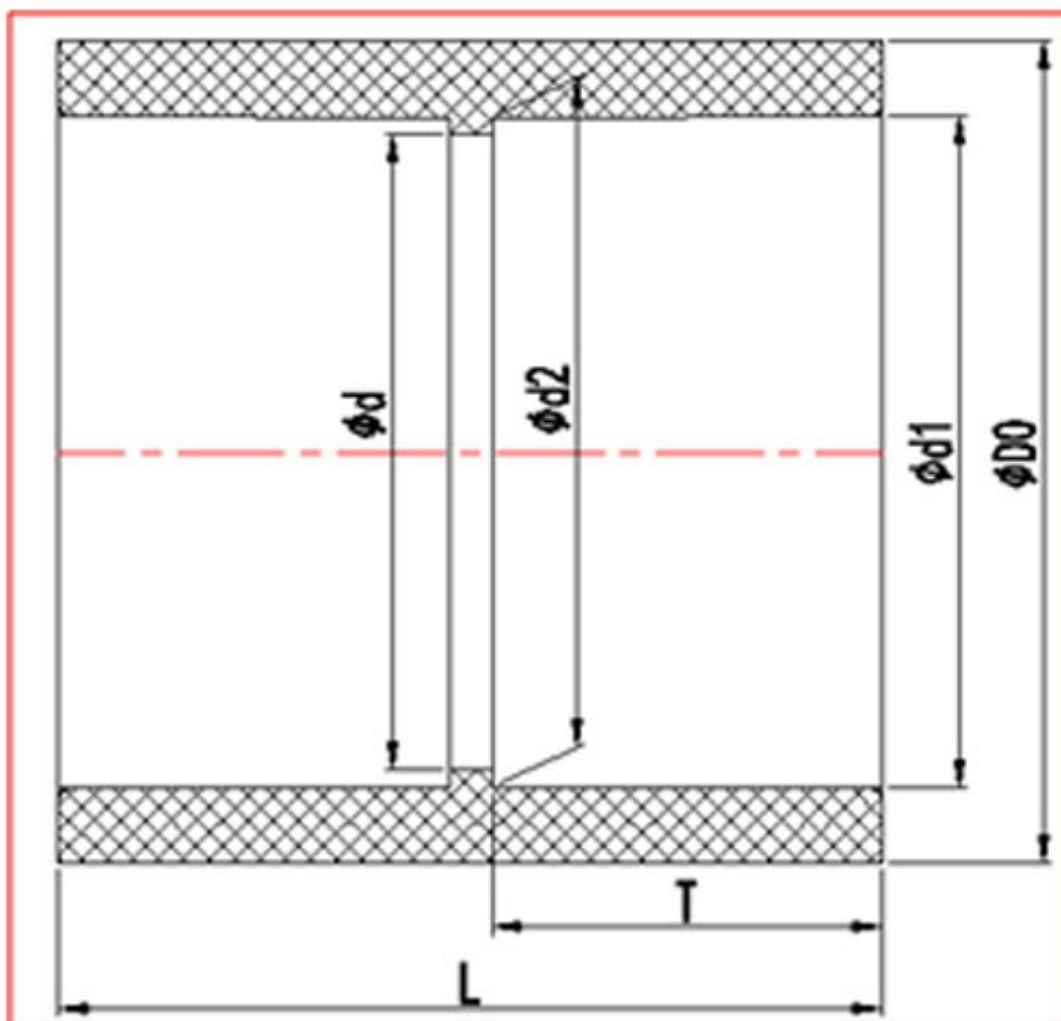
CPVC SCH80 Cross

Size (*")	Dimension (mm)					
	D0	d1	d2	d	T	L
1/2"	29.54	21.54	21.23	17.00	23.22	72.50
3/4"	35.36	26.87	26.57	22.50	26.40	82.80
1"	43.66	33.66	33.27	29.00	29.57	94.20
1-1/4"	53.02	42.42	42.04	38.00	32.75	111.50
1-1/2"	59.86	48.56	48.11	43.00	35.93	124.00
2"	72.23	60.63	60.17	55.00	39.10	143.70
2-1/2"	88.00	73.38	72.85	67.50	45.45	169.00
3"	105.30	89.31	88.70	83.00	48.63	193.26
4"	132.00	114.76	114.07	106.00	58.15	234.50
5"	162.00	141.81	141.04	133.00	67.68	287.00
6"	190.85	168.83	168.00	160.00	77.20	332.50



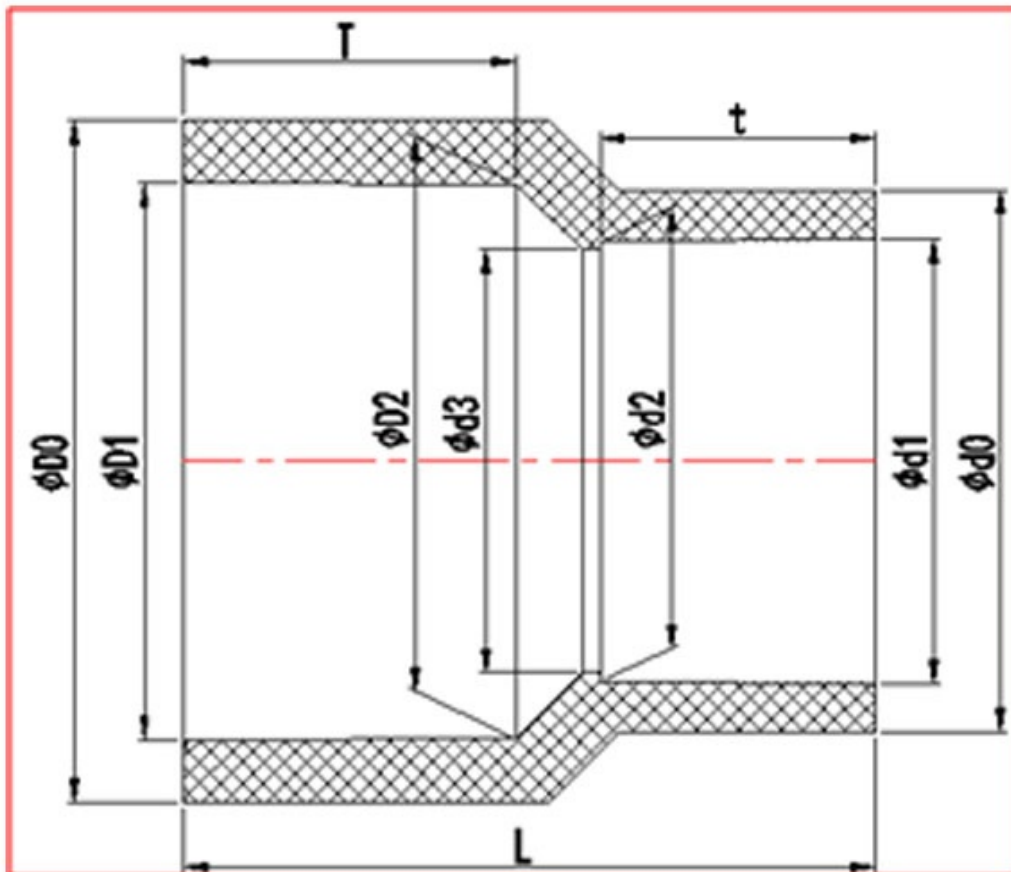
CPVC SCH 80 Coupling

Size (*")	Dimension (mm)					
	D0	d1	d2	d	T	L
1/2"	30.50	21.54	21.23	17.00	23.22	50.40
3/4"	36.90	26.87	26.57	22.50	26.40	56.80
1"	44.70	33.66	33.27	29.00	29.57	63.10
1-1/4"	54.00	42.42	42.04	38.00	32.75	69.50
1-1/2"	60.60	48.56	48.11	43.00	35.93	75.80
2"	73.10	60.63	60.17	55.00	39.10	82.20
2-1/2"	88.40	73.38	72.85	67.50	45.45	96.00
3"	105.30	89.31	88.70	83.00	48.63	102.30
4"	132.00	114.76	114.07	106.00	58.15	124.00
5"	161.90	141.81	141.04	133.00	67.68	144.00
6"	190.90	168.83	168.00	160.00	77.20	164.40
8"	245.90	219.84	218.69	208.00	102.60	215.20
10"	305.80	273.81	272.67	262.50	128.00	266.00
12"	360.60	324.60	323.47	313.00	153.40	316.80



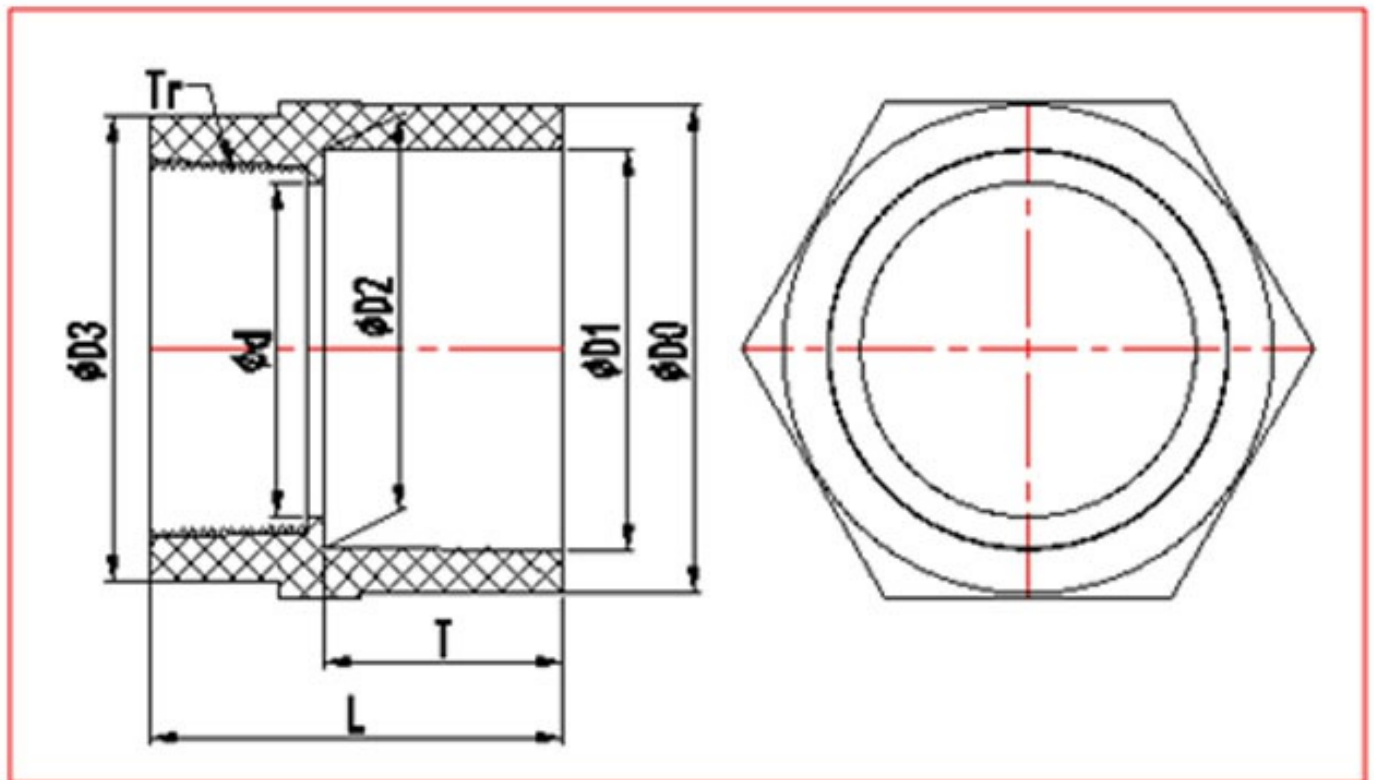
CPVC SCH80 Reducer Coupling

Size (*")	Dimension (mm)									
	D0	D1	D2	d0	d1	d2	d3	t	T	L
3/4"*1/2"	36.90	26.87	26.57	30.50	21.54	21.23	17.00	23.22	26.40	58.60
1"*1/2"	44.70	33.66	33.27	30.50	21.54	21.23	17.00	23.22	29.57	65.10
1"*3/4"	44.70	33.66	33.27	36.90	26.87	26.57	22.50	26.40	29.57	66.30
1-1/4"*1/2"	54.00	42.42	42.04	30.50	21.54	21.23	17.00	23.22	32.75	72.68
1-1/4"*3/4"	54.00	42.42	42.04	36.90	26.87	26.57	22.50	26.40	32.75	73.80
1-1/4"*1"	54.00	42.42	42.04	44.70	33.66	33.27	29.00	29.57	32.75	73.80
1-1/2"*3/4"	60.60	48.56	48.11	36.90	26.87	26.57	22.50	26.40	35.93	80.00
1-1/2"*1"	60.60	48.56	48.11	40.70	33.66	33.27	29.00	29.57	35.93	80.00
1-1/2"*1-1/4"	60.60	48.56	48.11	54.00	42.42	42.04	38.00	32.75	35.93	78.70
2"*1"	73.10	60.63	60.17	44.70	33.66	33.27	29.00	29.57	39.10	88.20
2"*1-1/4"	73.10	60.63	60.17	54.00	42.42	42.04	38.00	32.75	39.10	88.20
2"*1-1/2"	73.10	60.63	60.17	60.60	48.56	48.11	43.00	35.93	39.10	88.50
10"*8"	305.00	273.81	272.67	245.90	219.84	218.69	208.00	102.60	128.00	269.75



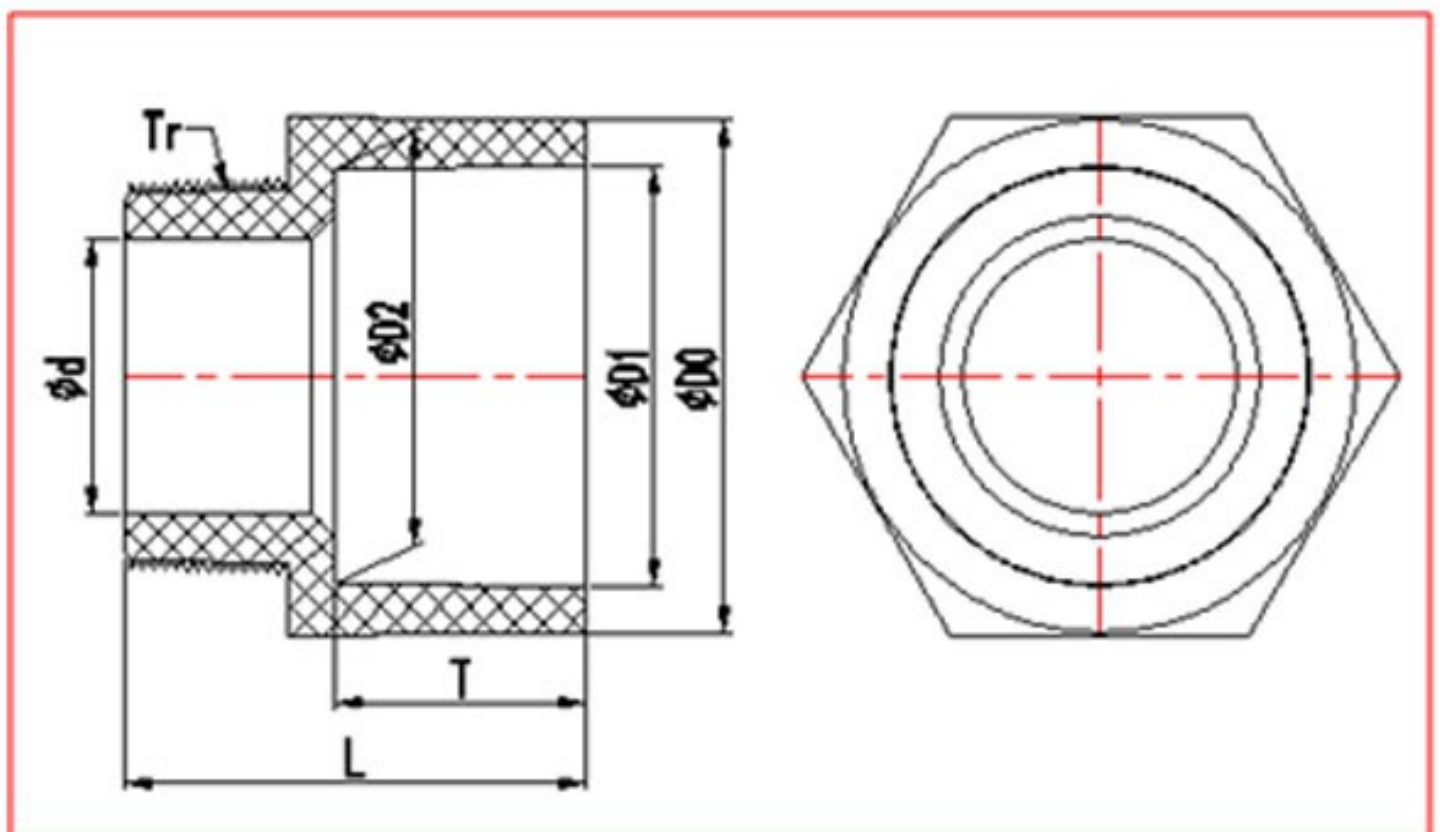
CPVC SCH80 Female Adapter

Size (*")	Dimension (mm)							
	D0	D1	D2	D3	d	T	L	Tr
1/2"	29.70	21.54	21.23	29.22	16.00	23.22	40.22	1/2"
3/4"	35.30	26.87	26.57	34.97	20.60	26.40	44.40	3/4"
1"	43.70	33.66	33.27	43.35	26.00	29.57	49.60	1"
1-1/4"	53.10	42.42	42.04	52.58	36.00	32.75	55.25	1-1/4"
1-1/2"	59.90	48.56	48.11	59.45	41.00	35.93	58.45	1-1/2"
2"	73.10	60.63	60.17	72.10	52.00	39.10	66.60	2"
2-1/2"	88.00	73.38	72.85	87.30	64.00	45.45	77.50	2-1/2"
3"	105.30	89.31	88.70	104.60	78.00	48.63	83.65	3"
4"	132.00	114.76	114.07	131.20	102.50	58.15	99.70	4"



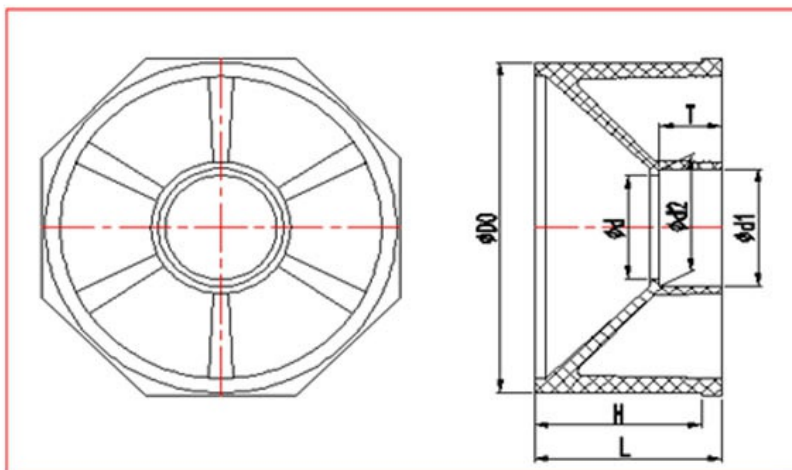
CPVC SCH80 Male Adaptor

Size (*")	Dimension (mm)						
	D0	D1	D2	d	T	L	Tr
1/2"	29.55	21.54	21.23	11.30	23.22	41.50	1/2"
3/4"	35.30	26.87	26.57	16.00	26.40	45.90	3/4"
1"	43.66	33.66	33.27	21.35	29.57	51.50	1"
1-1/4"	50.00	42.42	42.04	28.80	32.75	56.80	1-1/4"
1-1/2"	59.85	48.56	48.11	32.50	35.93	61.50	1-1/2"
2"	72.25	60.63	60.17	41.30	39.10	71.00	2"
2-1/2"	88.00	73.38	72.85	55.80	45.45	82.00	2-1/2"
3"	105.45	89.31	88.70	67.30	48.63	88.65	3"
4"	132.00	114.76	114.07	91.60	58.15	104.65	4"



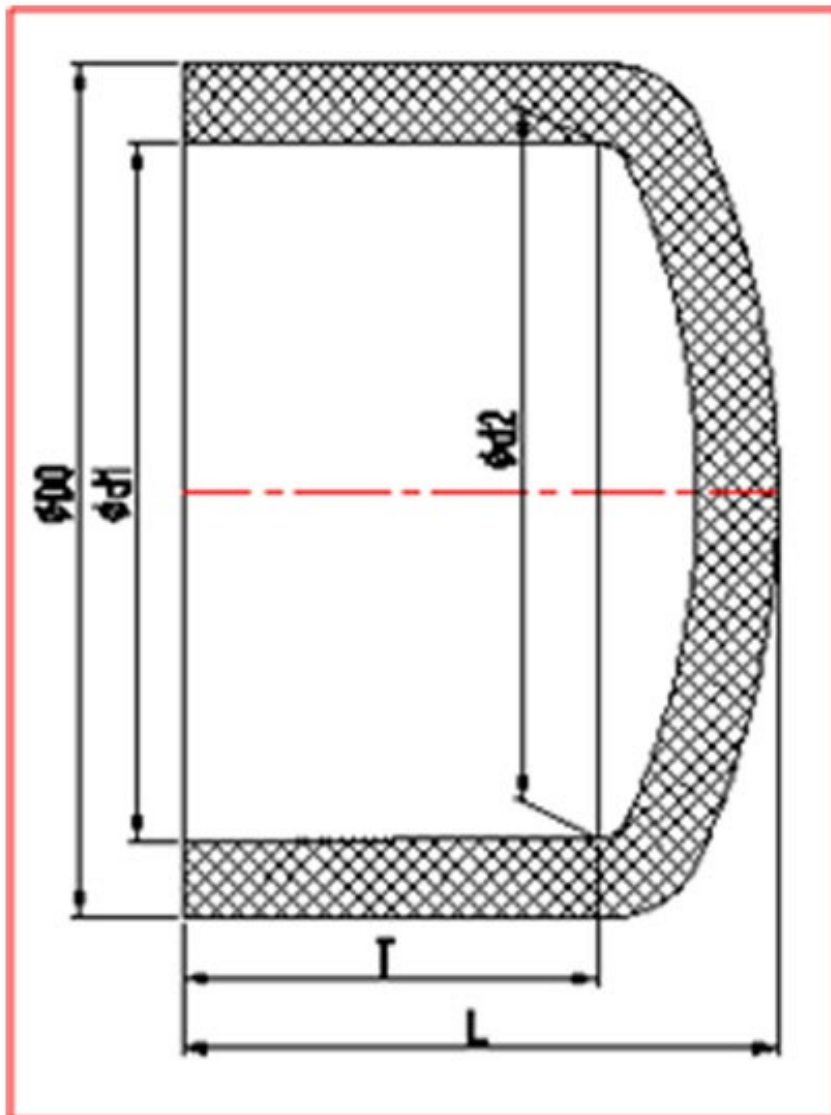
CPVC SCH80 Reducer Bushing

Size (*")	Dimension (mm)						
	D0	d1	d2	d	T	H	L
1/2"*1/4"	21.34	14.02	13.60	10.00	16.50	23.50	29.00
1/2"*3/8"	21.34	17.45	17.04	12.00	19.50	23.50	29.00
3/4"*1/2"	26.67	21.54	21.23	17.00	23.22	26.40	31.90
1"*3/8"	33.40	17.45	17.04	12.00	19.50	29.58	35.58
1"*1/2"	33.40	21.54	21.23	17.00	23.22	29.58	35.58
1"*3/4"	33.40	26.87	26.57	22.50	26.40	29.58	35.58
1-1/4"*1/2"	42.16	21.54	21.23	17.00	23.22	30.00	36.00
1-1/4"*3/4"	42.16	26.87	26.57	22.50	26.40	30.00	36.00
1-1/4"*1"	42.16	33.66	33.27	29.00	29.57	30.00	36.00
1-1/2"*1/2"	48.26	21.54	21.23	17.00	23.22	35.93	41.93
1-1/2"*3/4"	48.26	26.87	26.57	22.50	26.40	35.93	41.93
1-1/2"*1"	48.26	33.66	33.27	29.00	29.57	35.93	41.93
1-1/2"*1-1/4"	48.26	42.42	42.04	38.00	32.75	35.93	41.93
2"*1/2"	60.33	21.54	21.23	17.00	23.22	39.10	45.10
2"*3/4"	60.33	26.87	26.57	22.50	26.40	39.10	45.10
2"*1"	60.33	33.66	33.27	29.00	29.57	39.10	45.10
2"*1-1/4"	60.33	42.42	42.04	38.00	32.75	39.10	45.10
2"*1-1/2"	60.33	48.56	48.11	43.00	35.93	39.10	45.10
2-1/2"*1-1/2"	70.03	48.56	48.11	43.00	35.93	45.00	51.00
2-1/2"*2"	70.03	60.63	60.17	55.00	39.10	45.00	51.00
3"*1-1/2"	88.90	48.56	48.11	43.00	35.93	49.00	57.00
3"*2"	88.90	60.63	60.17	55.00	39.10	49.00	57.00
3"*2-1/2"	88.90	48.56	48.11	43.00	35.93	49.00	57.00
4"*2"	114.30	60.63	60.17	55.00	39.10	59.00	67.00
4"*2-1/2"	114.30	48.56	48.11	43.00	35.93	59.00	67.00
4"*3"	114.30	89.31	88.70	83.00	48.63	59.00	67.00
5"*4"	141.30	114.76	114.07	106.00	58.15	69.00	79.00
6"*3"	168.30	89.31	88.70	83.00	48.63	78.00	90.00
6"*4"	168.30	114.76	114.07	106.00	58.15	78.00	90.00
6"*5"	168.30	141.81	141.04	133.00	67.68	78.00	90.00
8"*4"	219.10	114.76	114.07	106.00	58.15	103.00	115.00
8"*6"	219.10	168.83	168.00	160.00	77.20	103.00	115.00
10"*3"	273.05	89.31	88.70	83.00	48.63	127.00	148.00
10"*4"	273.05	114.76	114.07	106.00	58.15	127.00	148.00
10"*6"	273.05	168.83	168.00	160.00	77.20	127.00	148.00
10"*8"	273.05	219.84	218.69	208.00	102.60	127.00	148.00
12"*4"	323.85	114.76	114.07	106.00	58.15	151.00	169.00
12"*6"	323.85	168.83	168.00	160.00	77.20	151.00	169.00
12"*8"	323.85	219.84	218.69	208.00	102.60	151.00	169.00
12"*10"	323.85	273.81	272.67	262.50	128.00	151.00	169.00



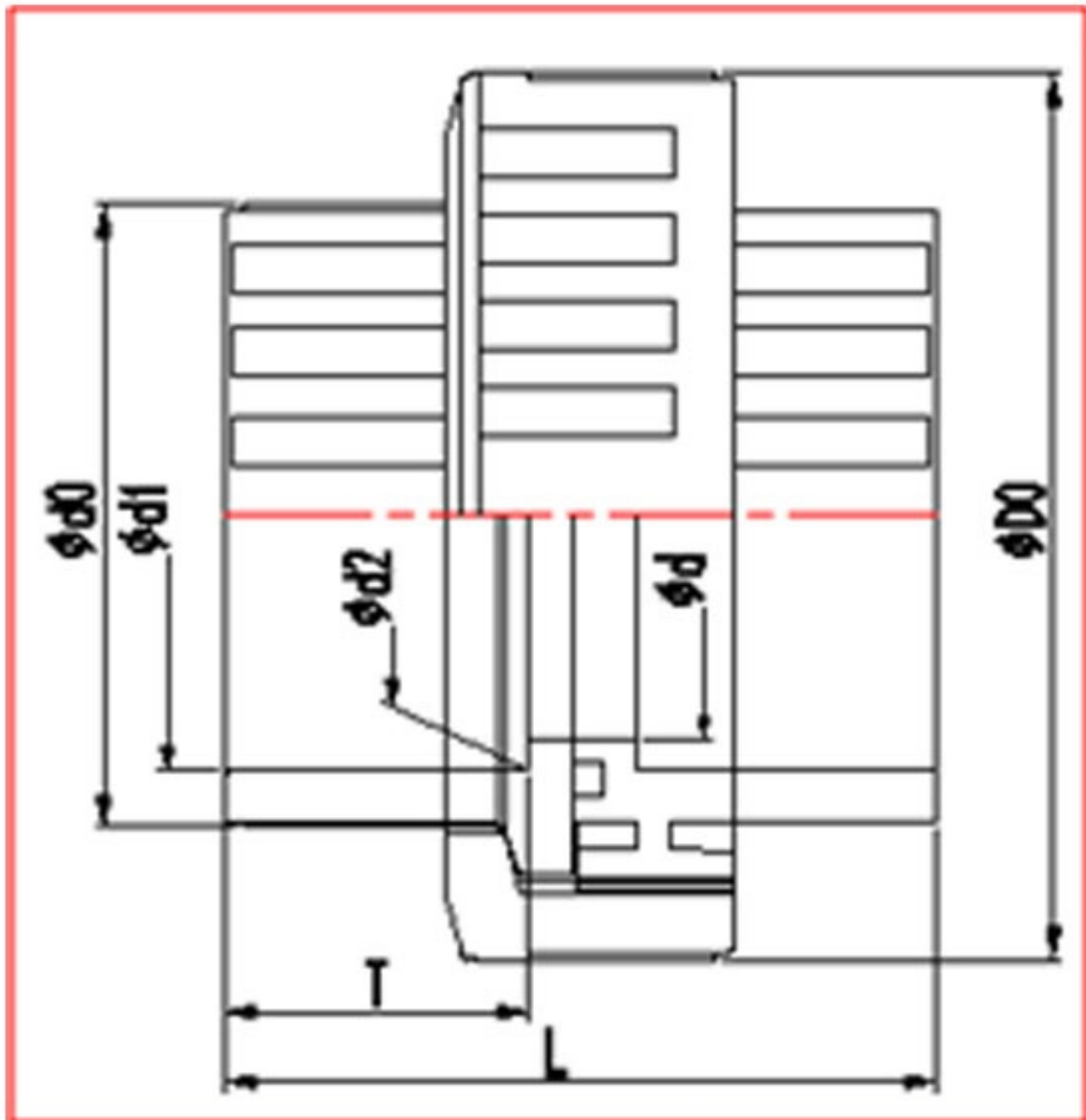
CPVC SCH80 Cap

Size (*")	Dimension (mm)				
	D0	d1	d2	T	L
1/2"	29.54	21.54	21.23	23.22	30.80
3/4"	35.31	26.87	26.57	26.40	35.13
1"	43.70	33.66	33.27	29.57	40.00
1-1/4"	53.05	42.42	42.04	32.75	45.00
1-1/2"	59.86	48.56	48.11	35.93	49.00
2"	72.23	60.63	60.17	39.10	53.95
2-1/2"	87.98	73.38	72.85	45.45	64.20
3"	105.30	89.31	88.70	48.63	58.00
4"	132.00	114.76	114.07	58.15	81.00
5"	161.80	141.81	141.04	67.68	106.50
6"	190.85	168.83	168.00	77.20	119.55
8"	245.85	219.84	218.69	102.60	141.70
10"	305.80	273.81	272.67	128.00	186.25
12"	361.60	324.60	323.47	153.40	228.00



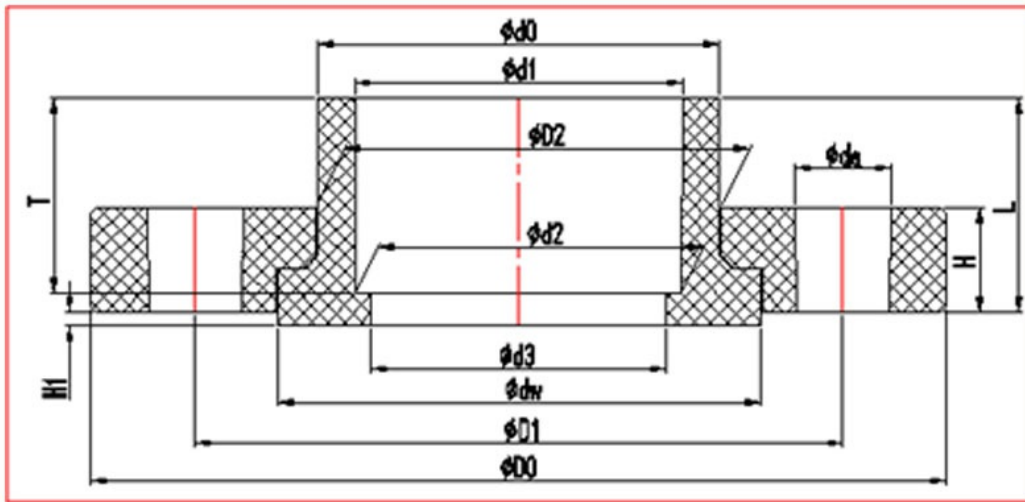
CPVC SCH80 Union

Size (*")	Dimension (mm)						
	D0	d0	d1	d2	d	T	L
1/2"	47.00	29.54	21.54	21.23	17.00	23.22	48.20
3/4"	54.00	35.36	26.87	26.57	22.50	26.40	55.50
1"	67.00	43.66	33.66	33.27	29.00	29.57	62.10
1-1/4"	78.50	53.02	42.42	42.04	38.00	32.75	70.00
1-1/2"	93.00	59.86	48.56	48.11	43.00	35.93	80.00
2"	110.60	72.23	60.63	60.17	55.00	39.10	90.50
2-1/2"	130.60	88.00	73.38	72.85	67.50	45.45	104.00
3"	148.50	105.30	89.31	88.70	83.00	48.63	117.00
4"	173.50	132.00	114.76	114.07	106.00	58.15	136.60



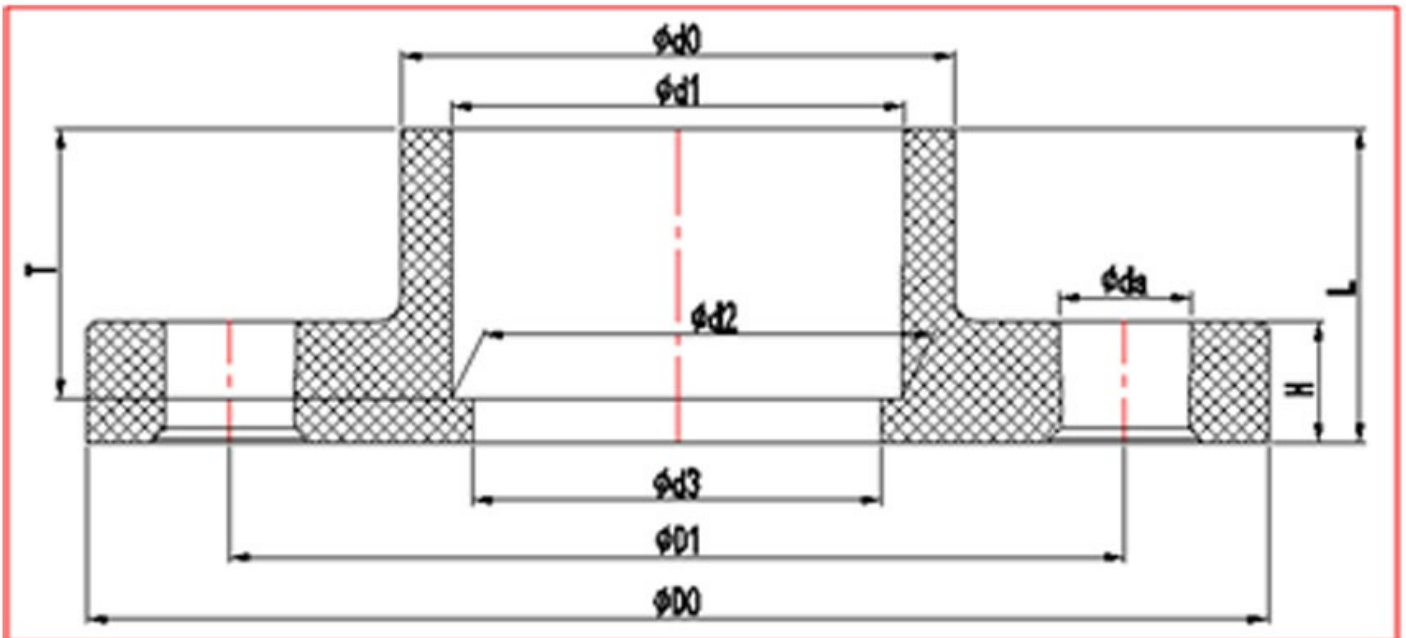
PVC SCH80 Vanstone Flange

Size (*")	Dimension (mm)													
	D0	D1	D2	d0	d1	d2	d3	dW	da	T	H1	H	L	Number of screws
2"	152	121	74.1	73.1	60.63	60.17	52.5	88.5	19	39.1	1	20	42.6	4
2-1/2"	178	140	89.4	88.4	73.38	72.85	65	108	19	45.5	1	23	49	4
3"	191	152	105.3	106.3	89.31	88.7	80	124.8	19	48.63	1	26	53.13	6
4"	229	191	133	132	114.76	114.07	102	152	19	58.15	1.5	28	62.65	6
5"	254	216	162.9	161.9	141.81	141.04	122	181.5	22	68	1.5	30	73.5	6
6"	284	241	192.5	191.5	168.83	168	150	209.5	22	77.2	2	32	82.2	6
8"	343	298	247.9	246.9	219.84	218.84	193	264.9	22	102.6	1.5	38	108.6	8
10"	410.00	362.00	309.80	305.80	273.81	272.67	262.50	327.37	24	128.00	3.00	42.00	138.00	12
12"	482.60	432.00	366.60	362.60	324.60	323.47	313.00	384.60	24	153.40	3.00	44.00	166.00	12



CPVC SCH80 One-Piece Flange

Size (*")	Dimension (mm)										Number of screws
	D0	D1	d0	d1	d2	d3	da	T	H	L	
1/2"	89.00	60.30	29.54	21.54	21.23	17.00	16.00	23.22	13.00	27.72	4
3/4"	89.00	69.85	35.27	26.87	26.57	22.50	16.00	26.40	14.00	30.90	4
1"	108.00	79.38	43.66	33.66	33.27	29.00	16.00	29.57	15.00	34.10	4
1-1/4"	117.00	88.90	53.02	42.42	42.04	38.00	16.00	32.75	15.00	38.75	4
1-1/2"	127.00	98.43	59.86	48.56	48.11	43.00	16.00	35.93	17.00	41.95	4
2"	152.00	120.65	72.23	60.63	60.17	55.00	19.00	39.10	19.00	46.10	4
2-1/2"	178.00	139.70	88.00	73.38	72.85	67.50	19.00	45.45	20.00	53.00	4
3"	191.00	152.40	105.30	89.31	88.70	83.00	19.00	48.63	20.50	57.15	4
4"	229.00	190.50	132.00	114.76	114.07	106.00	19.00	58.15	21.00	66.65	8
5"	254.00	216.00	162.00	141.81	141.04	133.00	22.00	67.68	23.50	77.50	8
6"	284.00	241.30	190.85	168.83	168.00	160.00	22.00	77.20	26.50	88.20	8
8"	343.00	298.45	245.84	219.84	218.69	208.00	22.00	102.60	27.00	113.60	8



CPVC SCH80 Blind Flange

Size (*")	Dimension (mm)				Number of screws
	D0	d1	da	H	
1/2"	89.00	60.30	16.00	14.50	4
3/4"	89.00	69.85	16.00	15.30	4
1"	108.00	79.38	16.00	16.30	4
1-1/4"	117.00	88.90	16.00	15.80	4
1-1/2"	127.00	98.43	16.00	18.50	4
2"	152.00	120.65	19.00	20.50	4
2-1/2"	178.00	139.70	19.00	21.30	4
3"	191.00	152.40	19.00	22.00	4
4"	229.00	190.50	19.00	23.20	8
5"	254.00	216.00	22.00	25.00	8
6"	284.00	241.30	22.00	28.30	8
8"	343.00	298.45	22.00	28.70	8
10"	410.00	362.00	24.00	40.00	12
12"	482.60	432.00	24.00	42.00	12

